



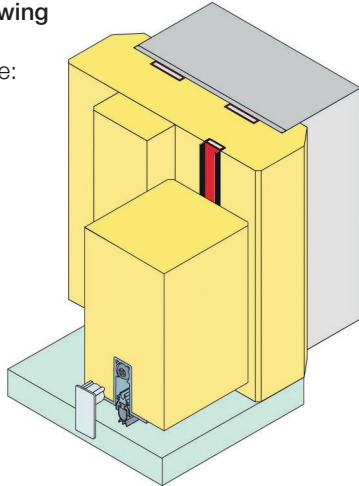
LORIENT ACOUSTIC SOLUTIONS

Example recommended acoustic solutions

Acoustic Solutions for Fire Rated Doors 30 Minutes

Single leaf, single swing

Acoustic performance:
Rw = 31dB
STC = 31dB

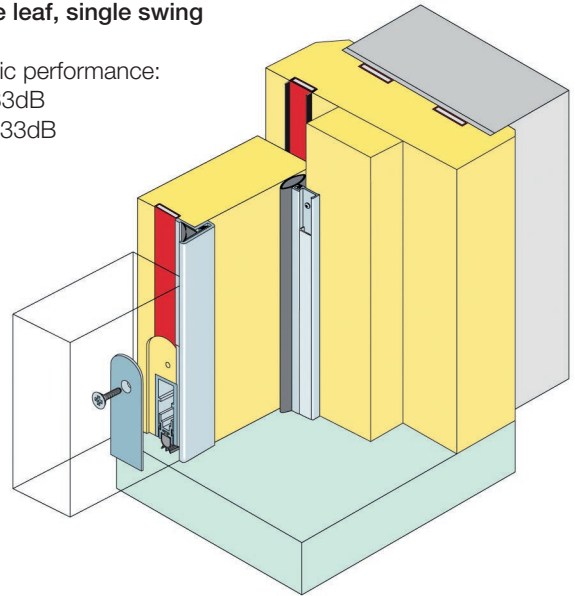


LP1504DS acoustic, smoke and fire seal + IS8005 si automatic threshold seal

Acoustic Solutions for Fire Rated Doors 60 Minutes

Double leaf, single swing

Acoustic performance:
Rw = 33dB
STC = 33dB

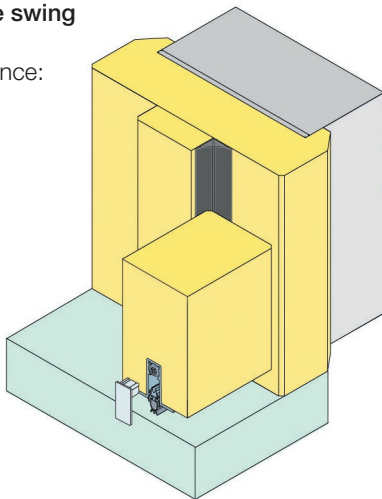


LP2004DS acoustic, smoke and fire seal + LP2004 fire seal + IS7120 perimeter seal + IS7061 meeting stile seal + IS8010 si

Acoustic Solutions for Non-Fire Rated Doors

Single leaf, single swing

Acoustic performance:
Rw = 31dB
STC = 31dB

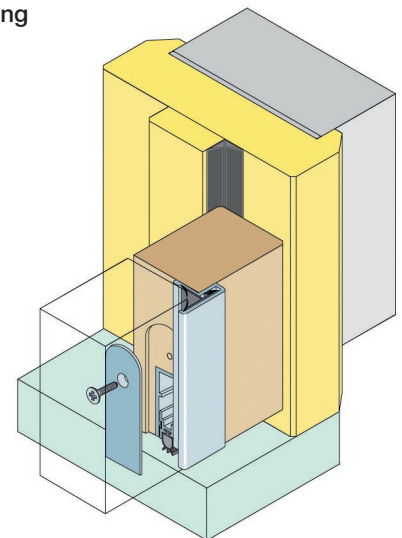


IS1212 Batwing® + IS8005 si automatic threshold seal

High Performance Sealing Solutions for Specialist Doors

Double leaf, single swing

Acoustic performance:
Rw = 37dB
STC = 37dB



IS1212 Batwing® + IS7061 meeting stile seal + IS8010 si automatic threshold seal.

DOC E PACKS

Each Doc E Pack contains everything required to seal one door assembly. Packs are available for both acoustic and smoke containment, or for acoustic, smoke and fire. A choice of threshold seal sizes is offered for compatibility with standard door widths.