



THERM-A-BLADE ACOUSTIC FIRE & SMOKE SEALS

Elastomeric twin blade combined acoustic fire and smoke seal

INTRODUCTION

THERM-A-BLADE combines the outstanding performance of THERM-A-FLEX intumescent with a superb twin blade elastomeric seal for maximum smoke control and improved acoustic properties.

It provides an alternative to THERM-A-STOP which has a pile smoke seal without compromising the excellent fire performance of THERM-A-FLEX graphite fire seal.

PERFORMANCE

THERM-A-BLADE has been developed to enhance the smoke performance properties of THERM-A-STOP. The fire performance properties of both products are the same as they both contain the same intumescent, THERM-A-FLEX, the first UK manufactured graphite intumescent.

The specially developed elastomeric blades are very thin to give a very low deflection force thereby minimizing the opening and closing forces when operating the door.

DESCRIPTION

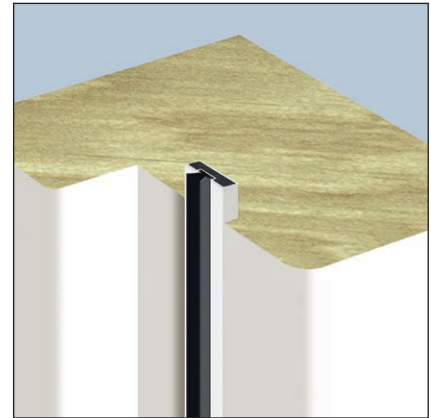
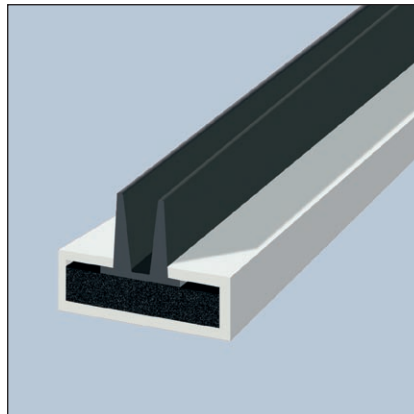
THERM-A-BLADE is a flexible elastomeric insert which has been developed to give maximum fatigue resistance ensuring a long and satisfactory life when installed into a 3 to 4mm gap between the door edge and the frame. Narrower gaps than this will shorten the life of the smoke seal.

Larger gaps will not be a problem provided that the seal bridges the gap. The seal is fitted into a PVC holder containing THERM-A-FLEX graphite for outstanding fire performance.

ACOUSTIC PERFORMANCE

A typical single and double door application with FD30 fire performance has a mass of only 18-22 kg/m² - below the requirement stated in approved document E. Therefore to meet the requirements of document E, it is essential to establish the acoustic performance of the doorset to at least 29dB RW.

Using THERM-A-BLADE together with either a Sealmaster Threshold seal or suitable Automatic Door Bottom Drop Seal on a nominal thickness 44-45mm door leaf shows an acoustic performance in the range of RW = 29-33dB.



AVAILABILITY

THERM-A-BLADE is supplied as standard in brown or white casings although black, grey, cream, red and a light oak woodgrain finish are also available to order.*



THERM-A-BLADE is available in the following nominal sizes with or without double sided adhesive tape;

10mm x 4mm
15mm x 4mm
20mm x 4mm
25mm x 4mm
30mm x 4mm
38mm x 4mm

Lengths - 1050mm or 2100mm

TEST STANDARDS

THERM-A-BLADE meets the fire and smoke performance requirement of BS 476: parts 20, 22 & 31.1. Test evidence is available on request and it is covered by our Certifire approval.

* Colours may vary slightly between examples illustrated in print, online and actual samples - which will depend upon lighting conditions in situ.

