



TTF SLIMLINE VENTILATOR (TRICKLE VENT)

TTF slimline through frame ventilator

SPECIFICATION

- Six sizes available to comply with Approved Document F 2006
- Slimline aluminium frame mounted ventilator
- Slimline and standard hoods
- Easy operation
- Controllable and draught free
- Easy installation
- Can be retro fitted
- Semi-permanent trickle option available
- Cord operation available
- Available in four standard colours
- Independently acoustically tested in accordance with BS EN 20140-10:1992, ISO 140-10:1991

INTRODUCTION

The TTF Slimline through frame ventilator is a robust, yet stylish aluminium ventilator. With its built in updraught and various operating modes the TTF Slimline is suitable for all types of windows. Available in six standard sizes and four standard colours, the unit also has the added option to be coloured and sized to meet most bespoke requirements.

DESIGN CRITERIA

The TTF Slimline Ventilator is suitable for PVCu, Aluminium and Timber Windows. The polyester paint finish is available in standard colours:

White (ref. Hipca), Black (ref. 9005), Brown (ref. 8019), Tan (ref. 8003) and Silver anodised.

MANUFACTURE

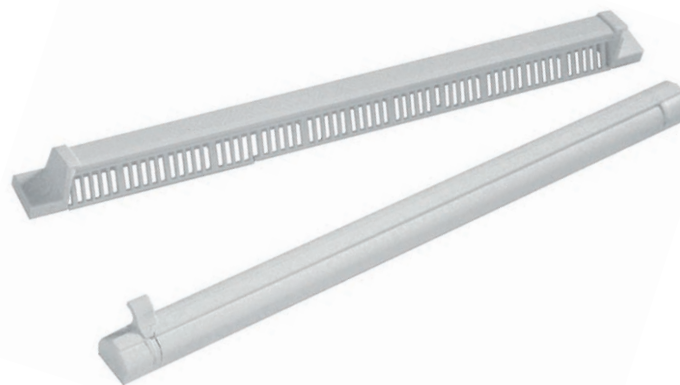
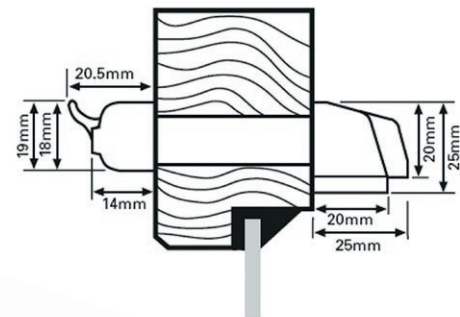
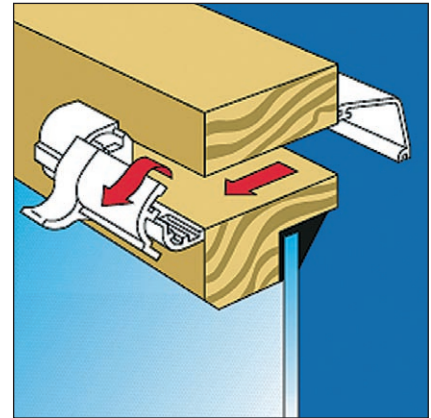
Manufactured in aluminium with nylon end caps/control components. Produced under ISO 9001 Quality Systems.

Components:

Aluminium hood plus one pair of end caps (20 or 25mm as ordered), Aluminium main body, Aluminium cover, Nylon end caps/control mechanism, 4 x screws, Flyscreen.

PERFORMANCE

Independently tested to BS EN 13141-1:2004
Water tightness of 400pa.
Independently acoustically tested in accordance with BS EN 20140-10:1992
ISO 140-10:1991.



ORDERING REFERENCES			
Unit	Length	EA as per BS 13141-1:2004	Slot Size
TTFSlimline 1250-10	208mm	1250mm ²	173 x 10mm
TTFSlimline 2500-10	375mm	2500mm ²	345 x 10mm
TTFSlimline 5000-10	745mm	5000mm ²	2x (345 x 10mm) - (10mm land)
TTFSlimline 1250-13	168mm	1250mm ²	133 x 13mm
TTFSlimline 2500-13	300mm	2500mm ²	265 x 13mm
TTFSlimline 5000-13	575mm	5000mm ²	2x (265 x 13mm) - (10mm land)
TTFSlimline 4000-12.5	375mm	2500mm ²	340 x 12.5mm

Airflow rates quoted are for when the units are fitted in accordance with manufacturers recommendations. Tested in accordance with BS EN 13141-1:2004