

Seals for Windows & Doors



INSTAFIT & FLIPEX WIPER SEALS

Instafit - The original patented cranked blade wiper Seal & Flipex - Ideal for pivot applications

INSTAFIT

Minimal resistance to opening or closing, operates out of sight. Weather energised - the harder it blows the tighter it seals. Reactivated with each use - never takes a set.

The superb door frame seal, ideal for hinged, pivot, side or top hung windows. Outward opening:- groove into sash or door, inward opening:- groove into frame as illustrated.

Material

Material Soft 55 Shore Polymer.

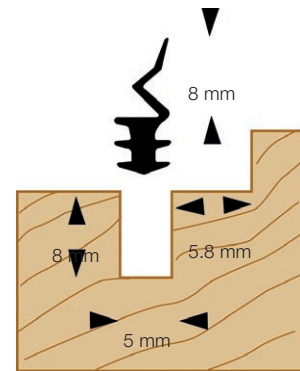
Colours

Colours Black (JSIF/BL)
Brown (JSIF/BN) and White (JSIF/W)

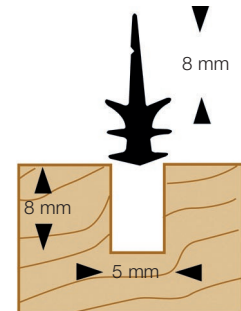
Packed

Packed 150 metres.

Also the perfect seal for top, bottom and centre rails of sliding sash windows, it is 'weather energised'.



Instafit



Flipex

FLIPEX

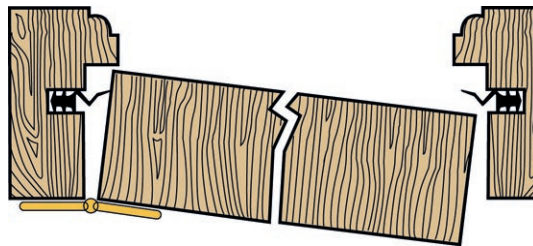
Flipex - ideal for pivot windows

Material

Soft EPDM 55 Shore.

Colours

Black (FPX/BL)
Packed 150 Metres.



DOUBLE SIDED PVC SECURITY GLAZING TAPE

Double sided self adhesive high tack closed cell PVC internal security glazing tape to BS7950

General Characteristics	Value	Standards	
Density	220/250kg/m ³		
Tensile Strength	0.35 Mps min	DIN 53571	
Elongation	150% min	DIN 53571	
Tear Strength	2kg/cm min	DIN 53515	
Compression Set	10% max 90% - 98% recovery	DIN 53572	
Water Absorbption	8% by volume		
Cold Flexure	-30 C pass	6mm madril	
Temperature Resistance	-50 C to +60 C	BS 2571	
Shore Hardness	55 - 75	Shore 00	
Resistance to Chemicals		Ref/ Size	
Acid	Good	SDG 1mm x 9mm x 50 m	Black
Mineral Oil	Good	SDG 1.5mm x 9mm x 40 m	Black/White
Alcohol	Good	SDG 2mm x 9mm x 33 m	Black/White
Alkalis	Good	SDG 3mm x 9mm x 25 m	Black/Brown/White
Petrol	Good	SDG 4mm x 9mm x 20 m	Black
Soap and Detergents	Good	SDG 5mm x 9mm x 15 m	Black
Compression required to achieve a positive waterseal: 20%		SDG 6mm x 9mm x 15m	Black

NOTE: We can supply any width in 1.5mm, 2mm & 3mm thickness of double sided security dry glazing tape